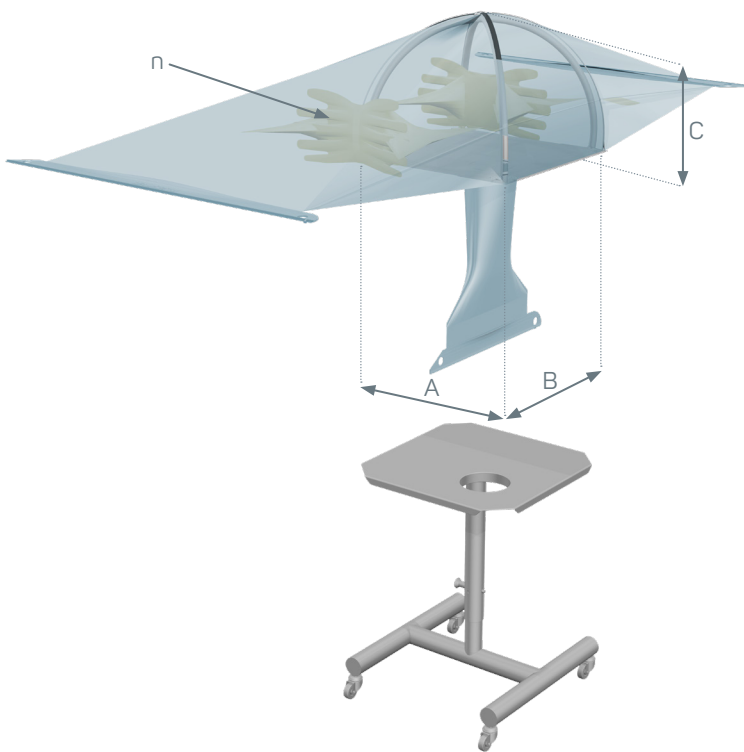


# FLECOTEC

## FLECOBOX (I-Box)



Various table models are available for the I-Box.

### FLECOBOX I-Box

THIS INDIVIDUALLY PREFABRICATED FLEXIBLE ISOLATOR WITH SECONDARY CONTAINMENT AND INTEGRATED GLOVES MEETS ALL THE REQUIREMENTS OF CONTAINMENT LEVEL OEB 5 FOR HIGHLY TOXIC PRODUCTS.

Made from Flecofilm, a pharmaceutical grade polyethylene in accordance with:

- EUR Pharmacopoeia 3.1.3. and 3.1.5.
- USP <88>, in vivo reactivity tests
- USP <661>, physicochemical testing

Internal support frame made of white, FDA-compliant HDPE.

	STANDARD SIZES			
	250	500	650	800
Width A (mm)	250	500	650	800
Length B (mm)	450	500	650	650
Height C (mm)	450	500	650	650
Base outlet possible	–	✓	✓	✓
Number of gloves (n)	2	2-4	2-4	2-6

(special sizes on request)





Flecotec AG

Schweighofstrasse 3  
79410 Badenweiler  
Germany

T + 49 7632 828 553-0  
F + 49 7632 828 553-9

[mail.ft@rommelag.com](mailto:mail.ft@rommelag.com)  
[www.rommelag.com](http://www.rommelag.com)

