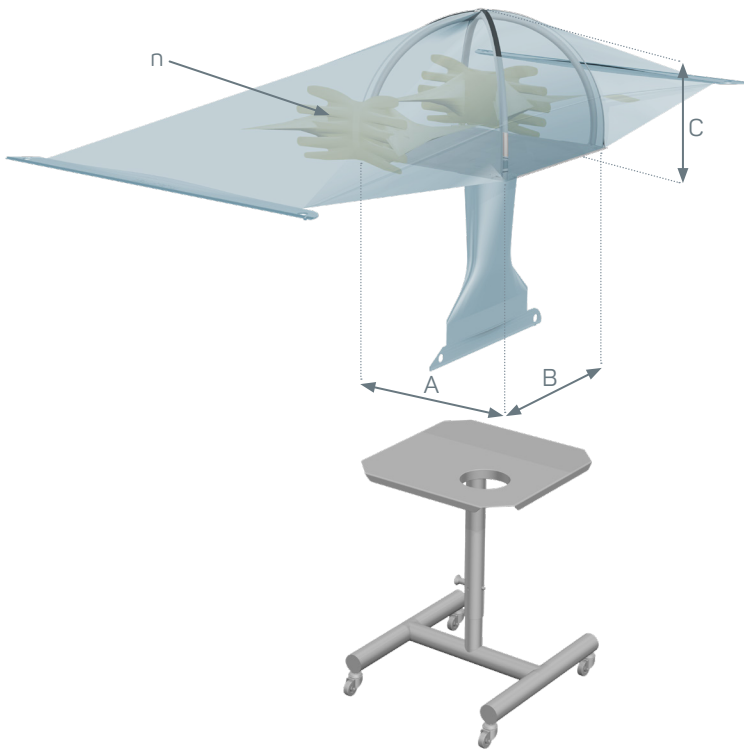


FLECOTEC

FLECOBOX (I-Box)



Various table models are available for the I-Box.

FLECOBOX I-Box

THIS INDIVIDUALLY PREFABRICATED FLEXIBLE ISOLATOR WITH SECONDARY CONTAINMENT AND INTEGRATED GLOVES MEETS ALL THE REQUIREMENTS OF CONTAINMENT LEVEL OEB 5 FOR HIGHLY TOXIC PRODUCTS.

Made from Flecofilm, a pharmaceutical grade polyethylene in accordance with:

- EUR Pharmacopoeia 3.1.3. and 3.1.5.
- USP <88>, in vivo reactivity tests
- USP <661>, physicochemical testing

Internal support frame made of white, FDA-compliant HDPE.

STANDARD SIZES

| | 250 | 500 | 650 | 800 |
|----------------------|-----|-----|-----|-----|
| Width A (mm) | 250 | 500 | 650 | 800 |
| Length B (mm) | 450 | 500 | 650 | 650 |
| Height C (mm) | 450 | 500 | 650 | 650 |
| Base outlet possible | – | ✓ | ✓ | ✓ |
| Number of gloves (n) | 2 | 2-4 | 2-4 | 2-6 |

(special sizes on request)



Flecotec AG

Schweighofstrasse 3
79410 Badenweiler
Germany

T + 49 7632 828 553-0
F + 49 7632 828 553-9

mail.ft@rommelag.com
www.rommelag.com

